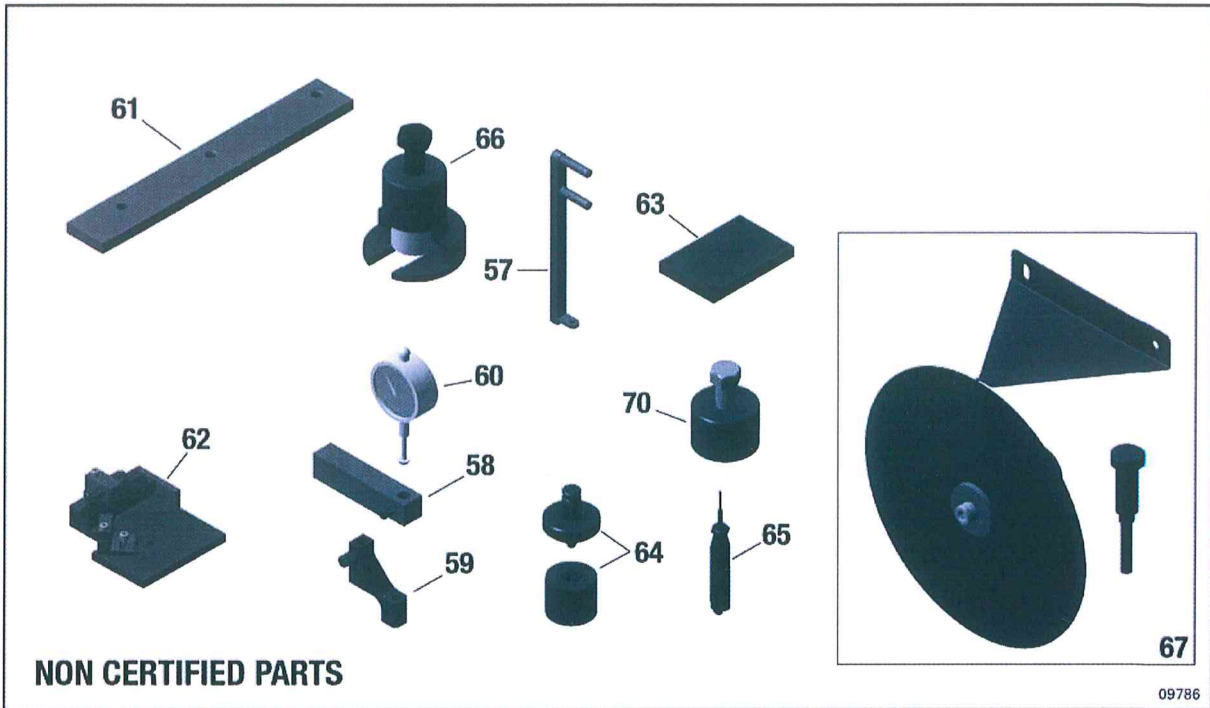


**BRP-Rotax**  
ILLUSTRATED PARTS CATALOG  
**REPAIR TOOLS**



ITEM NO.	Application	ITEM NO.	Application
57	Checking of hydraulic valve tappet and valve spring force	63	For aligning cylinders
58	Checking plain bearing protrusion	64	Oil seal 6x11x3/ 4.5 of rev counter housing
59-60	Dial gauge	65	To release the cable on electr. connectors
61	Checking plain bearing position	66	For press in of worm gear, mech. rev counter
62	Dial gauge adapter for valve seat inspect	67	See MM Line chapt. 05-50-00