

**BRP-Rotax**  
ILLUSTRATED PARTS CATALOG

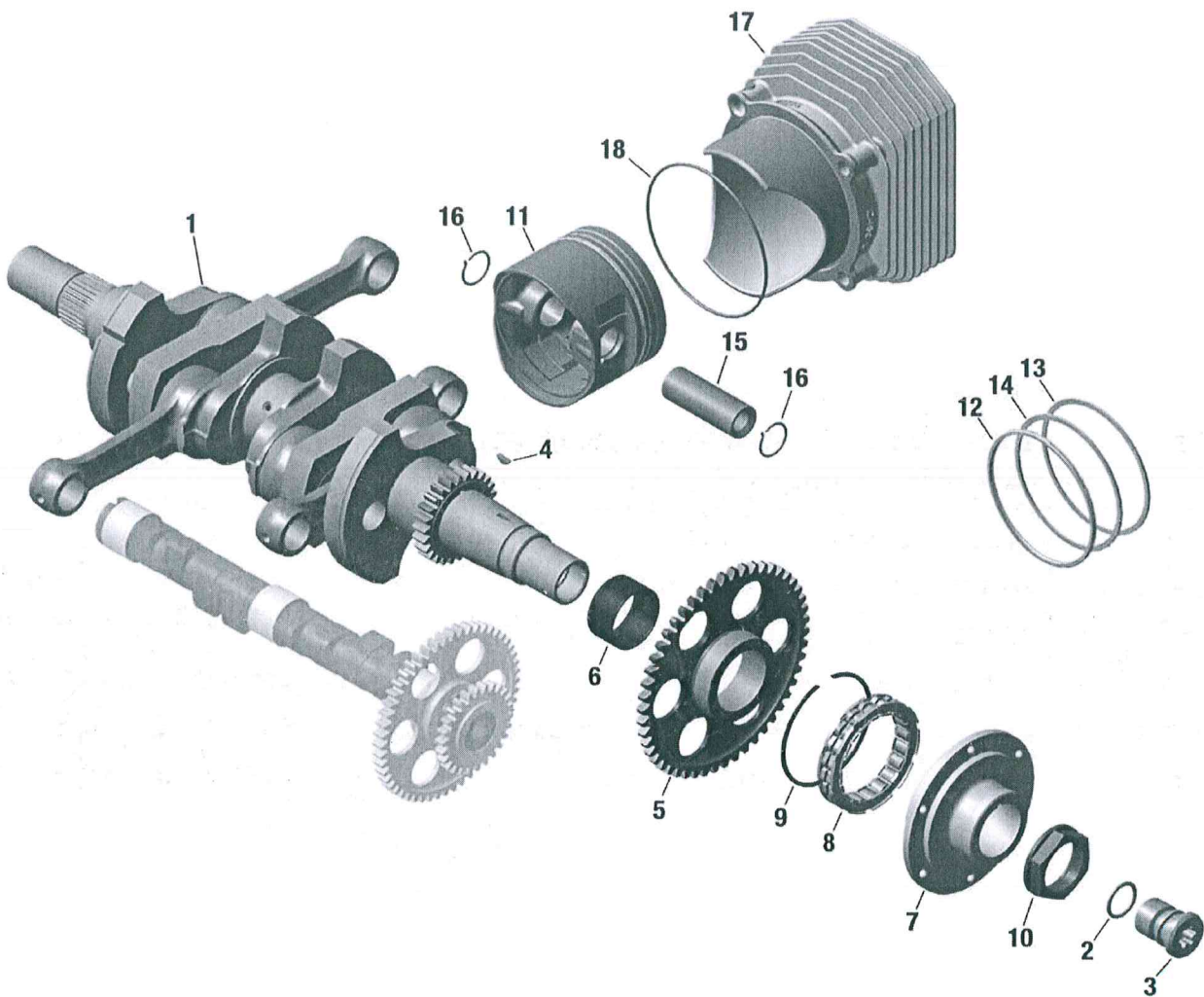


Fig. 72-20-00-3

08716

d06290.fm