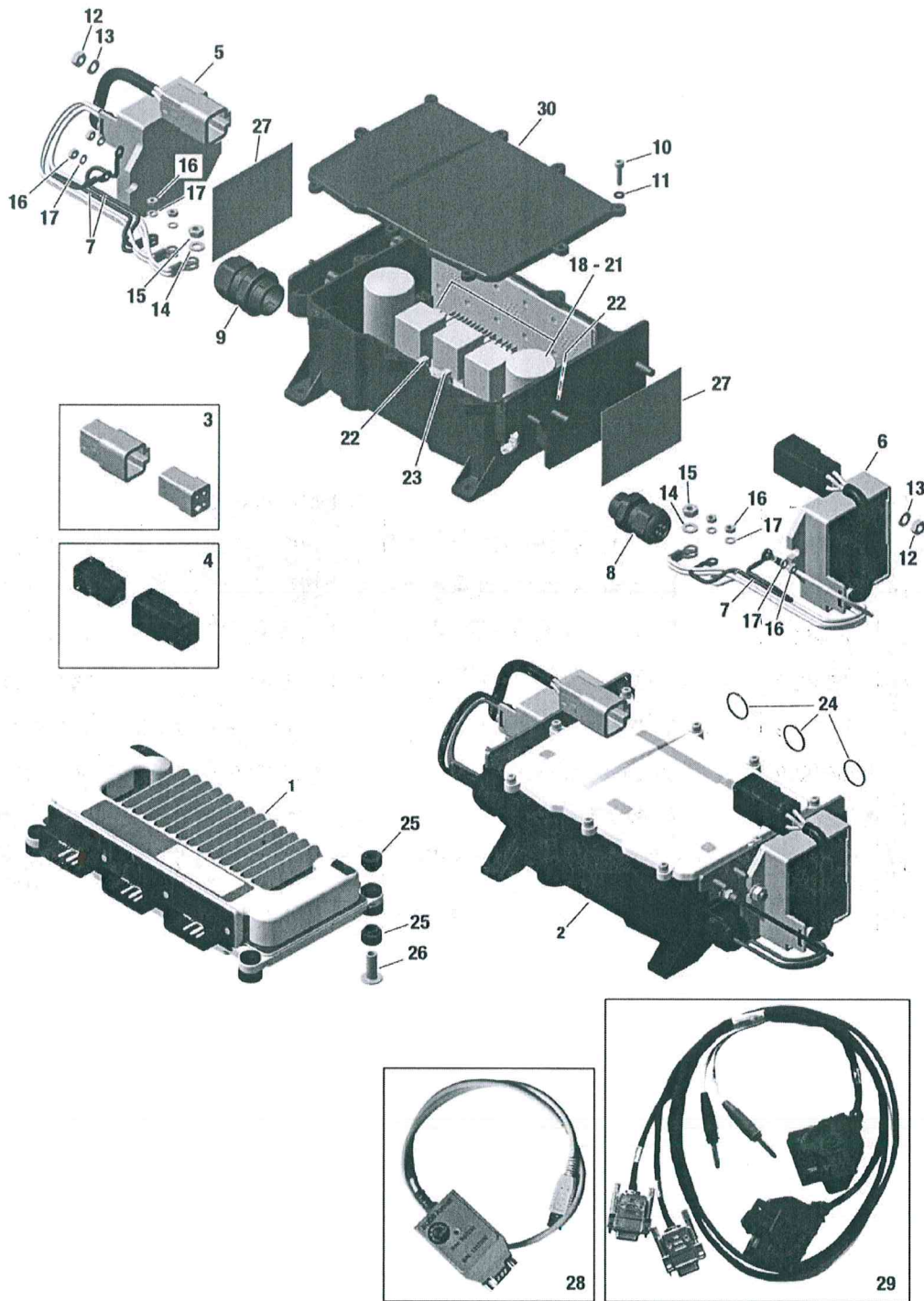


**BRP-Rotax**  
ILLUSTRATED PARTS CATALOG



**Fig. 76-10-00-1**

08725\_a  
d06294.fm