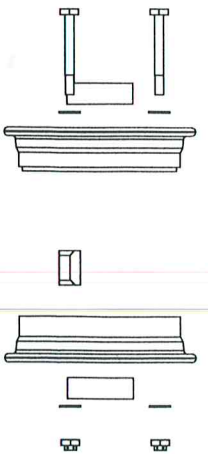
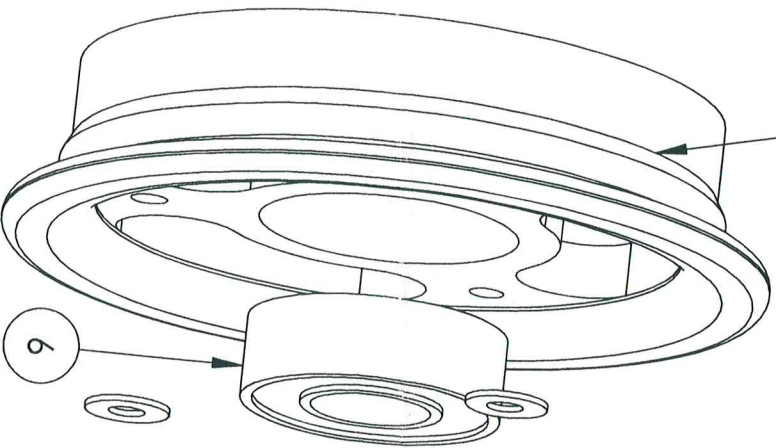
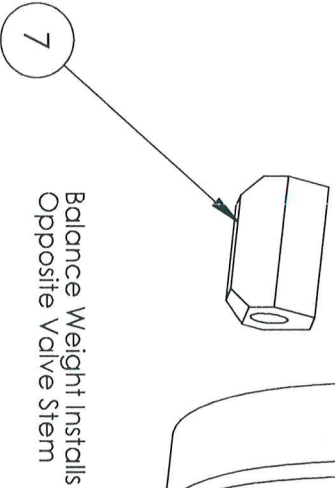
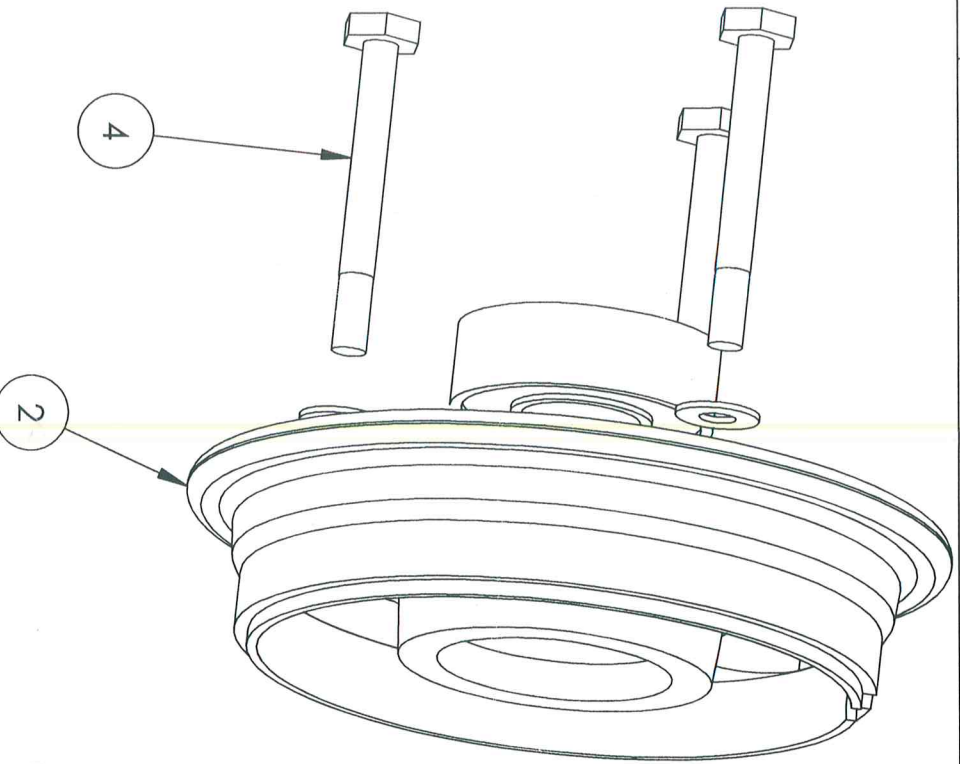


ITEM #	Part Number	Description	QTY.
1	WHLW35/.625	WHEEL HALF, TAIL VALVE	1
2	WHLTW35/.625	WHEEL HALF, TAIL BACK	1
3	MSCAN960-10L	WASHER, THIN	6
4	MSCAN3-15A	BOLT, HEX	3
5	MSCMS21045-3	NUT, FLEX LOCK	3
6	MSC1623DCTN	Bearing, Boil 0.625	2
7	TW35WGT	WEIGHT, BALANCE	1



MATCO mfg

2361 S. 1560 West

Woods Cross, Utah 84087 USA



DRAWN BY
George R. Happ

FINISH
None

NOMENCLATURE
WHEEL, TAIL 3.5"

MATERIAL
VARIES

PART NUMBER
WHLTW35

DRAWING NO.
WHLTW35

DATE
3/16/2006

CHECKED BY

SHEET 1 OF 1
SHEET SIZE A

SCALE
1:1

REVISION
A
Est Wt. (lb)
0.88

TOLERANCES
(EXCEPT AS NOTED)

DO NOT SCALE DRAWING
LINEAR .XX = + .03
.XXX = + .01
ANGULAR ± ± 1/2
CONCENTRIC ± ± .01

WHLT-6P	WHLT-6P	1
NEXT ASSY.	USED ON	QTY
APPLICATION		