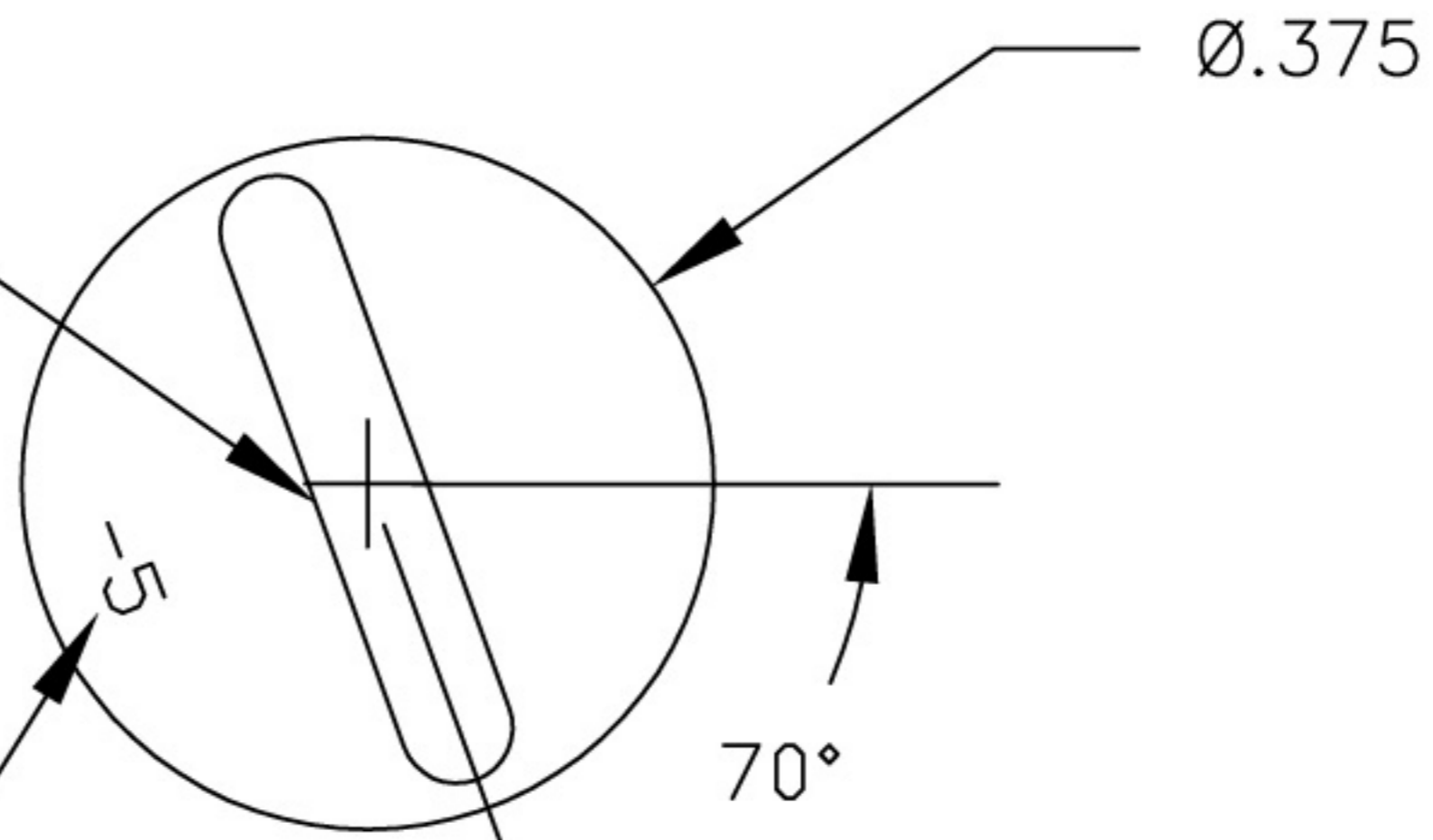


.055 WIDE X .062 DP. X .315 LONG



IDENTIFICATION:  
DASH NO.

STUD  
4002A-(XX)

SPRING 4000A

.343 DIA.

CUP  
4000B-(XX)

PIN 4000C

CHAMFER  
OPTIONAL

