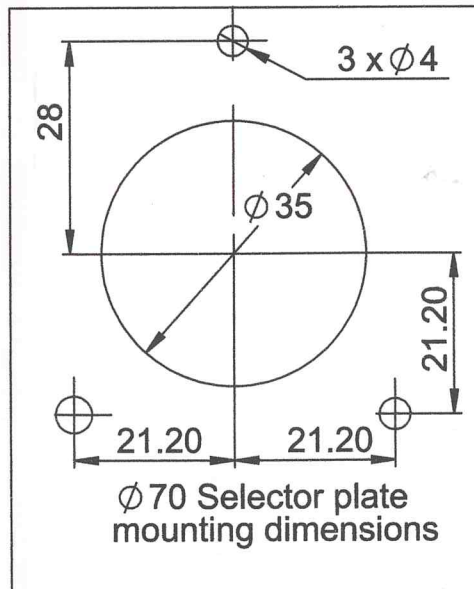
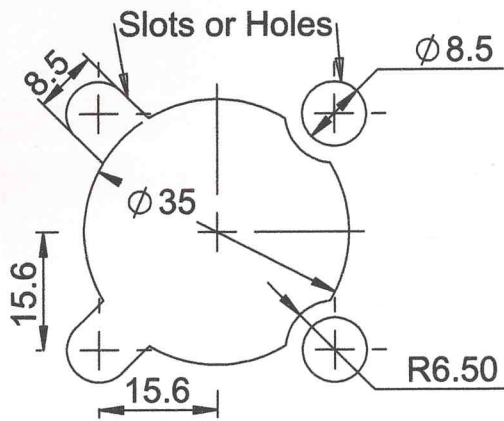
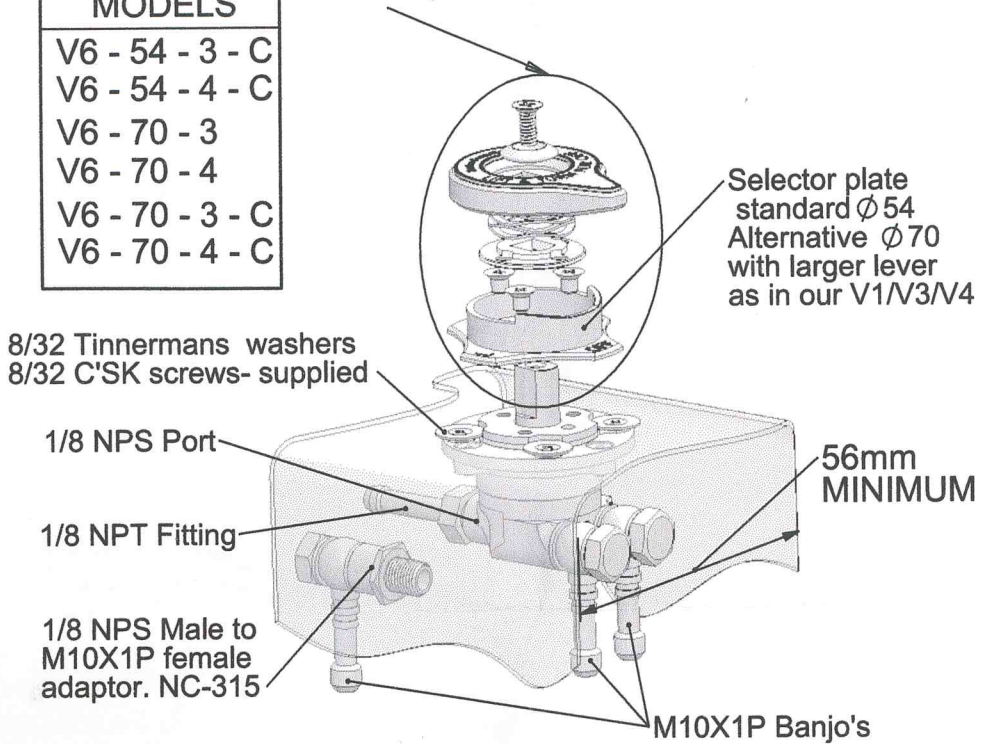


# V6 - 6mm flow valve installation

| MODELS          |
|-----------------|
| V6 - 54 - 3 - C |
| V6 - 54 - 4 - C |
| V6 - 70 - 3     |
| V6 - 70 - 4     |
| V6 - 70 - 3 - C |
| V6 - 70 - 4 - C |

Remove head assembly for installation  
Replace when valve is in situ



**Newton Consulting Sprl Ltd**

BANKSIDE WORKS, LONDON ROAD, CHALFORD,  
STROUD, GLOS. GL6 8PR UK

Tel: 44(0)1453 884908

E-Mail: robinvoice@yahoo.co.uk