

VADEMECUM TO FOLLOW FOR THE REVIEW OF THE

GALAXY PARACHUTE

Q: IS THE REVIEW CARRIED OUT EVERY 6 YEARS?

A: e.g. produced in 2015 and revised in 2021

Q: CAN I SHIP THE PARACHUTE IMMEDIATELY?

A: before shipping the parachute to our office it is essential to complete and send us the PARACHUTE REVIEW FORM completed in its entirety, remember to attach a paper copy together with the system.

Q: CAN I SEND ANY PARACHUTE TO YOU FOR SERVICING?

A: No, the parachute to be overhauled must be a GALAXY production system

Q: I HAVE NEVER USED THE SYSTEM IT HAS ALWAYS BEEN IN THE BOX GARAGE, DO I NEED TO SERVE IT?

A: It must be serviced as if it had been installed on board the ultralight aircraft.

Q: IS IT POSSIBLE TO OVERHAUL A PARACHUTE BEYOND THE PERIOD OF EXPIRATION?

A: Yes, within certain limits of expired years the cost of the revision will be higher

Q: WHAT SHOULD I DO TO REQUEST A PARACHUTE OVERHAUL?

A: Download the "Request for Parachute Review" form on our website

https://www.speedcomfly.com/sito-ecommerce/index.php?main_page=advanced_search_result&search_in_description=1&keyword=revisione+paracadute



fill it out and send it back by mail info@speedcomfly.com

Q: HOW SHOULD THE PARACHUTE BE SECURED FOR SHIPPING?

A: the parachute equipped with a rocket must be shipped with the insertion of 3 safeties, 2 on the rocket and one on the firing handle. (see attached photos and drawings)

- 1) Apply a 2 mm steel wire to the upper part of the rocket. through and twisted (through a specific through hole).
- 2) Apply 5MA screw in the threaded hole at the base of the rocket on the side, tighten until it stops.
- 3) Apply and lock the safety catch on the firing handle.
- 4) Apply the appropriate steel basket to the rocket, which must always be kept for shipments of the system. If it is missing, send it, it will be applied by Galaxy and charged in addition to the cost of the overhaul.

Q: HOW SHOULD IT BE SHIPPED?

A: shipped packaged to perfection by express courier, carriage paid
(expenses paid by the sender unless otherwise agreed)

Q: WHAT MUST BE SHIPPED?

A: The parachute including rocket must be sent (restraint ropes are not needed), attach expiring certification, and a copy of the (PRINTED REVIEW REQUEST FORM)

Q: WHO IS IT SHIPPED TO?

A: It must be forwarded to our. address: LA BOTTEGA DELL'AQUILONE SPEED CON
Via Stortoletta 9 35020 TRIBANO (PADUA)

**Q: THE OVERHAUL INCLUDES THE REPLACEMENT OF WASTE PARTS
DEFECTIVE DUE TO NEGLIGENCE OR DAMAGE?**

A: During the overhaul, if GALAXY believes that damaged parts need to be replaced, it will carry out the replacement, charging for the replaced parts.

Q: HOW LONG IS THE PARACHUTE SERVICED?

A: The parachute is overhauled by GALAXY with variable times depending on the workload, a "REVISED PARACHUTE" date will be estimated by GALAXY which we will communicate to you

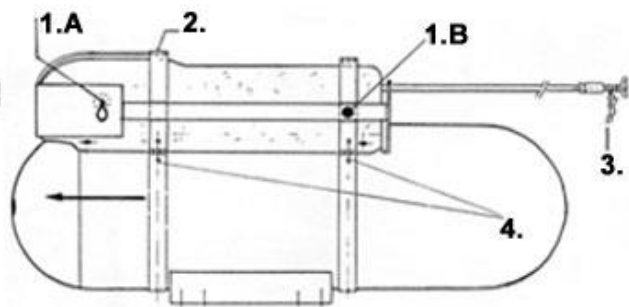
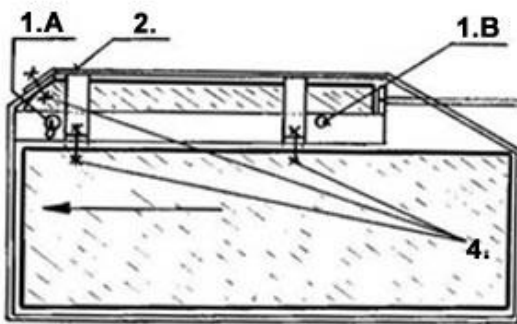
Q: HOW CAN I PAY FOR THE SYSTEM OVERHAUL?

A: The most practical and least expensive method is the bank transfer

Q: WHAT DOES THE COST OF THE INSPECTION INCLUDE?

A: It includes the total control of the system (cap, ropes, bag etc. the replacement of charges and activation cartridges, issue of new certification valid for others 6 (six) years of potential use on board.





- 1A 2mm safety steel wire.
- 1B M5 rocket locking screw
- 2 Steel basket-cage
- 3 Security Pins
- 4 steel basket fixing screws

	<p>Warning!</p> <p>Achtung!</p> <p>Attention!</p> <p>Pozor!</p>		
		<p>Transport safety snip A, unscrew B and draw after the system instalation.</p> <p>Sicherungsstahldraht - durchschneiden A, ausschrauben B und nach der Montage des Systems herausziehen.</p> <p>Les sécurités de transport A et la vis B ne doivent être retirées qu'après l'installation.</p> <p>Odšroubuj šroub B po vyjmutí z obalu. Zajišťovací jehlu A přestřihni a vytáhni po instalaci systému.</p>	

● **GRS ROCKET** BAM Nr. 1885/08

- WELDING WIRE
- SCHWEISSDRAHT
- FIL à SOUDER
- DRÁT-POJISTKA

Ø 1,5-2 mm

WARNING !
SECURE FOR SHIPPING

ACHTUNG !
TRANSPORTSICHERUNG

ATTENTION !
SÉCURITÉ POUR LE TRANSPORT

POZOR !
ZAJISTI PRO PŘEPRUVU

● **GRS ROCKET** BAM Nr. 1885/08

- WELDING WIRE
- SCHWEISSDRAHT
- FIL à SOUDER
- DRÁT-POJISTKA

Ø 1,5-2 mm

WARNING !
SECURE FOR SHIPPING

ACHTUNG !
TRANSPORTSICHERUNG

ATTENTION !
SÉCURITÉ POUR LE TRANSPORT

POZOR !
ZAJISTI PRO PŘEPRUVU

● **GRS ROCKET** BAM Nr. 1885/08

- WELDING WIRE
- SCHWEISSDRAHT
- FIL à SOUDER
- DRÁT-POJISTKA

Ø 1,5-2 mm

WARNING !
SECURE FOR SHIPPING

ACHTUNG !
TRANSPORTSICHERUNG

ATTENTION !
SÉCURITÉ POUR LE TRANSPORT

POZOR !
ZAJISTI PRO PŘEPRUVU

LA BOTTEGA DELL'AQUILONE SPEED COM

DEALER GALAXY dal 1988

Via Stortoletta 9

35020 TRIBANO Padova Italia

www.speedcomfly.com -- info@speedcomfly.com