

BRP-Rotax
ILLUSTRATED PARTS CATALOG

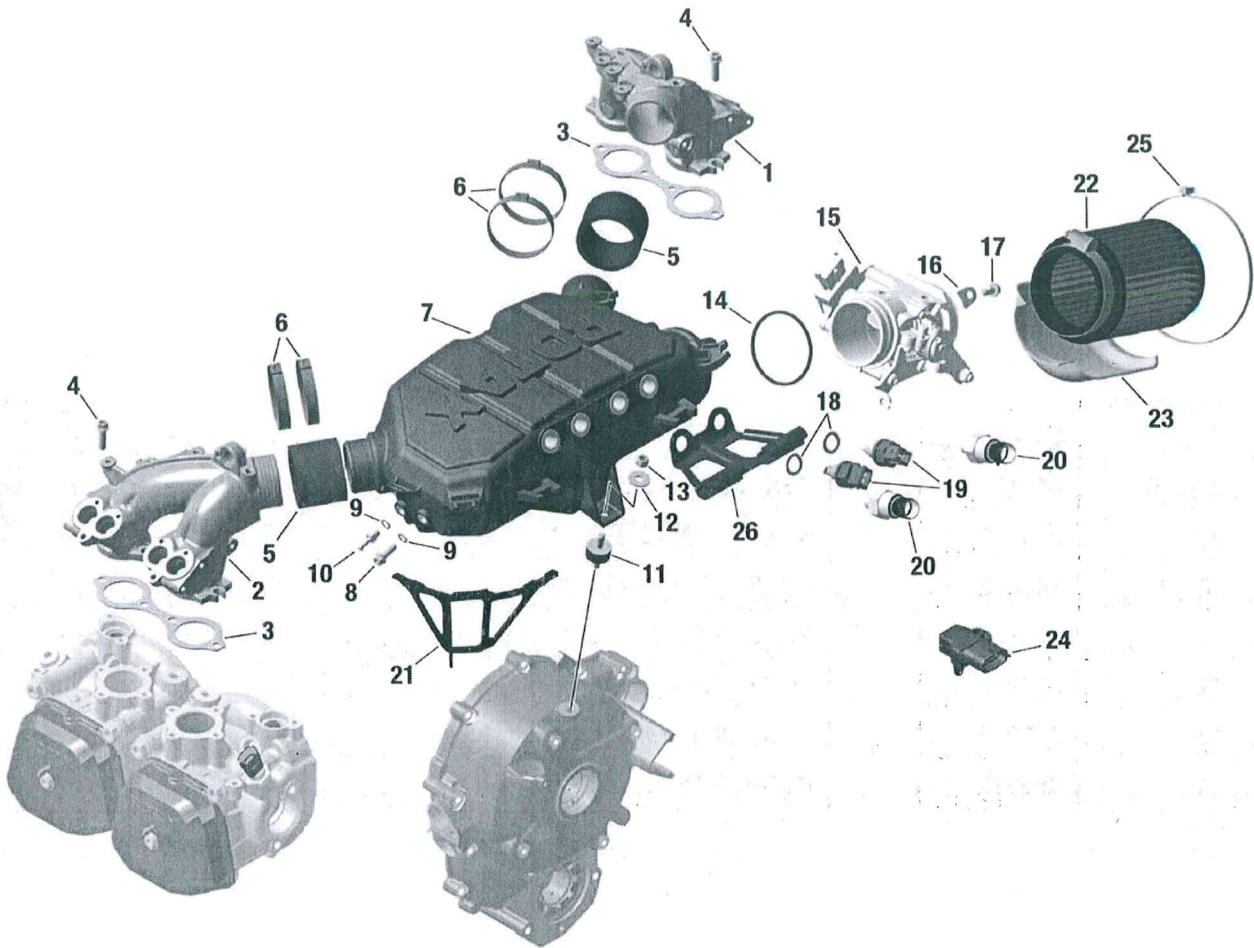


Fig. 73-10-00-1

08719_a

d06291.fm