

BRP-Rotax  
ILLUSTRATED PARTS CATALOG

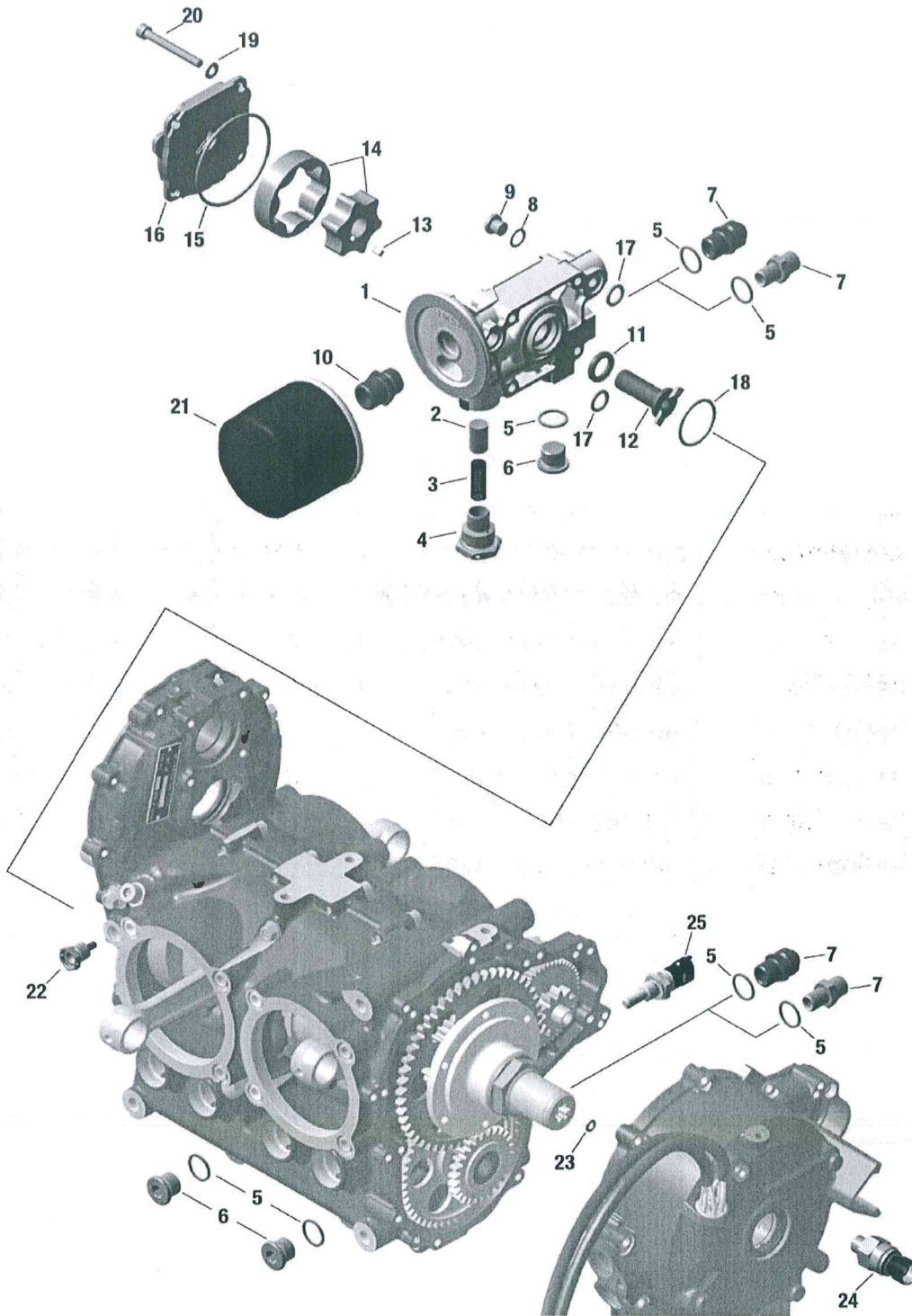


Fig. 79-20-00-2

08730

d06297.fm