

BRP-Rotax  
ILLUSTRATED PARTS CATALOG

**ENGINE CONTROL UNIT, FUSE BOX, REGULATOR**

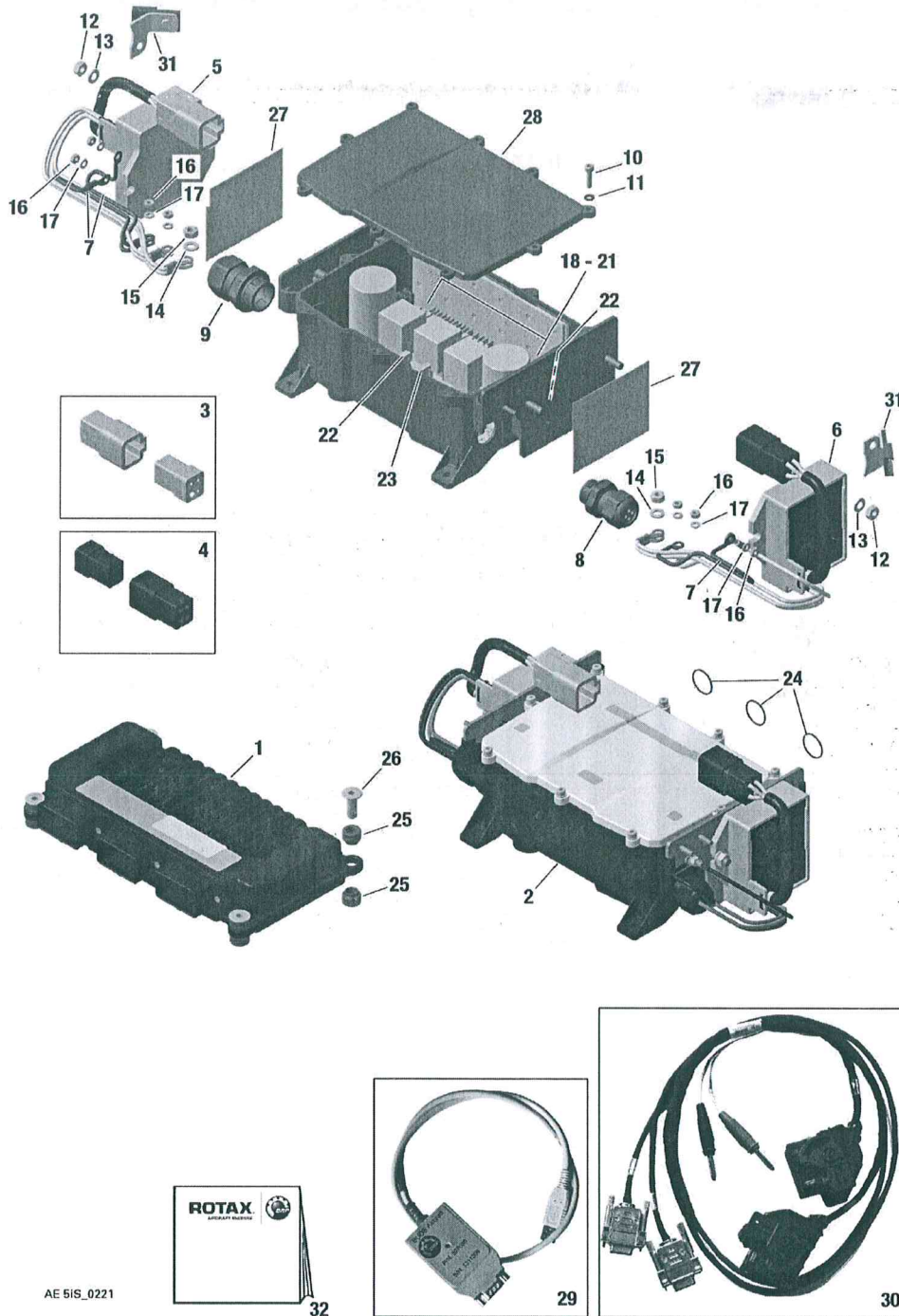


Figure 11.1: 76-10-00

**76-10-00**

Page 2  
December 01 2017

Effectivity: 915 i A Series  
Edition 0/Rev. 0