

BRP-Rotax  
ILLUSTRATED PARTS CATALOG

**ENGINE CONTROL UNIT, FUSE BOX, REGULATOR**

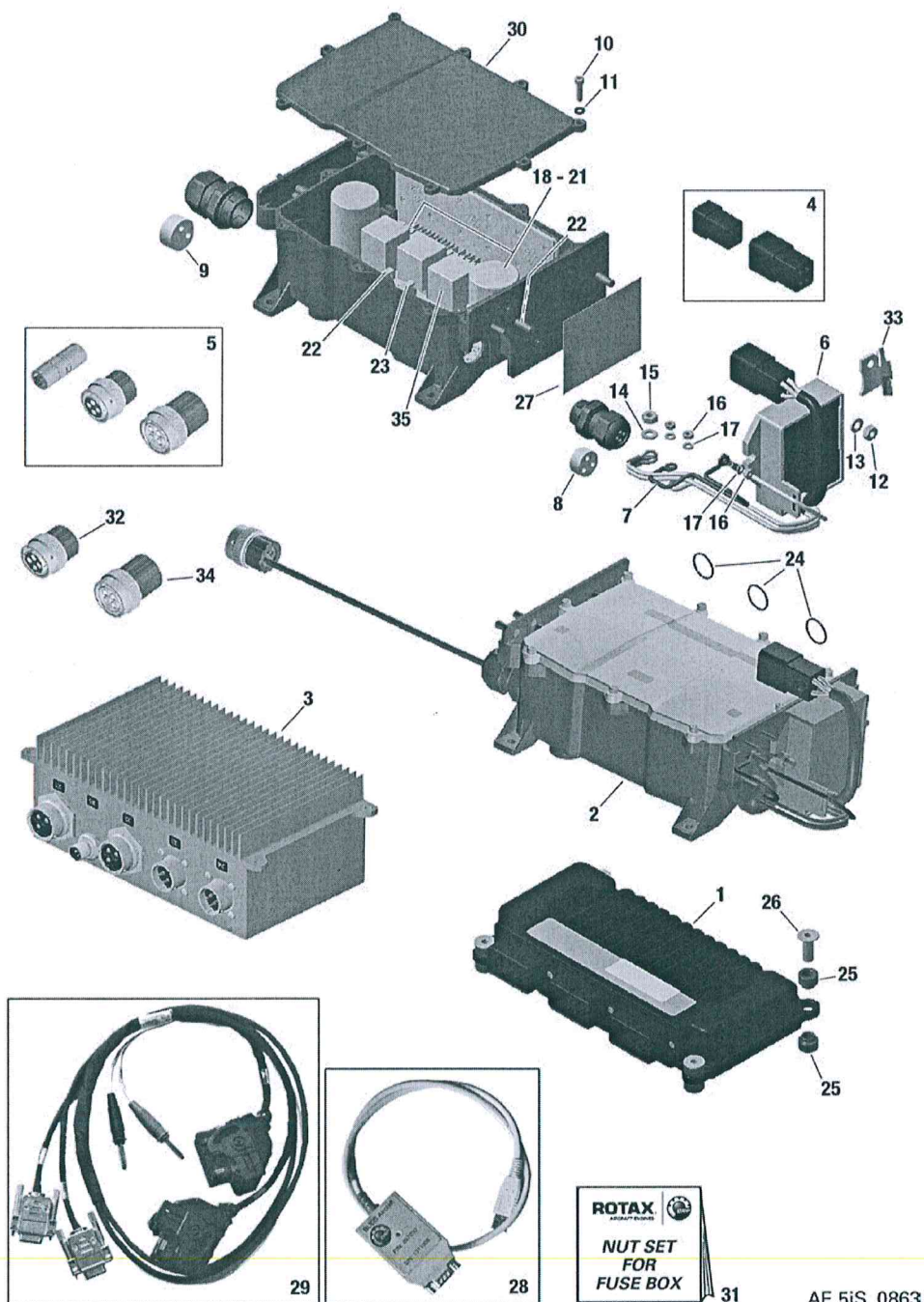


Figure 10.1: 76-10-00

**76-10-00**

Page 2  
September 01 2021

Effectivity: 915 iS C24  
Edition 0/Rev. 0